

GXP6200K Pressure sensor

1 Features

- Miniaturization and MEMS Technology.
- Chip design with independent intellectual property rights.
- High-precision linear characteristics.
- Standardized SOP or DIP package.
- Rich variety, pin direction selectable.

2 Applications

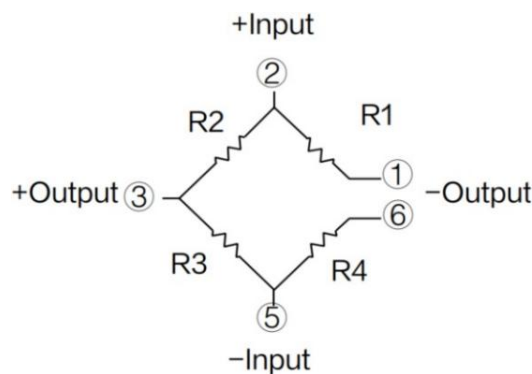
- Medical: medical sphygmomanometer, oxygen concentrator, heart rate monitor, air cushion beds
- Automotive electronics: fuel tank level monitoring, steering assistance, brake assistance
- White goods: washing machine level measurement, coffee machine, beer machine, water purifier

3 Description

The GXP6200K series pressure sensor is a ultra small, high-precision semiconductor pressure sensor that contributes to equipment miniaturization, suitable for fields such as biomedical, automotive electronics, and white goods. GXP6200K adopts standard SOP6 and DIP6 packaging forms, and is convenient for users to install in multiple ways.

The internal core chip is a silicon piezoresistive pressure sensitive chip processed using MEMS (Micro Electro Mechanical Systems) technology, which has good nonlinearity, repeatability, reliability, and stability, making it convenient for users to use operational amplifiers or signal processing circuits for compensation in the future.

Equivalent circuit:



For detailed recommended peripheral circuits, please contact the relevant sales personnel.

7 Selection Guide

GXP6		Piezoresistive pressure sensors		
		Code	Range	
		200K		
			number	Packaging
			S	SOP
GXP6	200K	S	full specification	

- Technical parameters or questions, please contact us.
- If you have special requirements for the performance parameters, functions and styles of the sensors, please contact us.

8 Ordering Information

Purchase Code	Devices	Package	Package quantity	Note
GXP6200KS-T&R	GXP6200KS	SOP6	400	Tape&Reel