

## GXP6100K Pressure sensor

### 1 Features

- Miniaturization and MEMS Technology.
- Chip design with independent intellectual property rights.
- High-precision linear characteristics.
- Standardized SOP or DIP package.
- Rich variety, pin direction selectable.

### 2 Applications

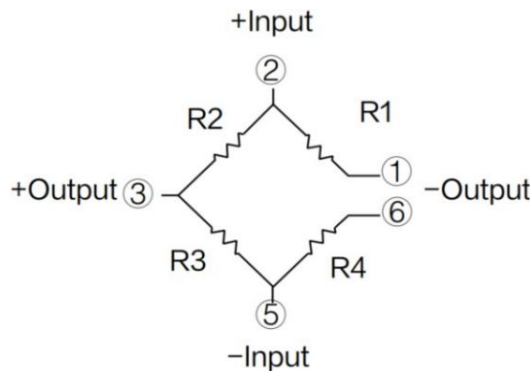
- Medical: medical sphygmomanometer, oxygen concentrator, heart rate monitor, air cushion beds
- Automotive electronics: fuel tank level monitoring, steering assistance, brake assistance
- White goods: washing machine level measurement, coffee machine, beer machine, water purifier

### 3 Description

The GXP6100K series pressure sensor is a ultra small, high-precision semiconductor pressure sensor that contributes to equipment miniaturization, suitable for fields such as biomedical, automotive electronics, and white goods. GXP6100K adopts standard SOP6 and DIP6 packaging forms, and is convenient for users to install in multiple ways.

The internal core chip is a silicon piezoresistive pressure sensitive chip processed using MEMS (Micro Electro Mechanical Systems) technology, which has good nonlinearity, repeatability, reliability, and stability, making it convenient for users to use operational amplifiers or signal processing circuits for compensation in the future.

**Equivalent circuit:**



For detailed recommended peripheral circuits, please contact the relevant sales personnel.

## 7 Selection Guide

<b>GXP6</b>		<b>Piezoresistive pressure sensors</b>		
		<b>Code</b>	<b>Range</b>	
		<b>100K</b>		
			<b>number</b>	<b>Packaging</b>
			<b>S</b>	<b>SOP</b>
<b>GXP6</b>	<b>100K</b>	<b>S</b>	<b>full specification</b>	

- Technical parameters or questions, please contact us.
- If you have special requirements for the performance parameters, functions and styles of the sensors, please contact us.

## 8 Ordering Information

<b>Purchase Code</b>	<b>Devices</b>	<b>Package</b>	<b>Package quantity</b>	<b>Note</b>
GXP6100KS-T&R	GXP6100KS	SOP6	400	Tape&Reel